

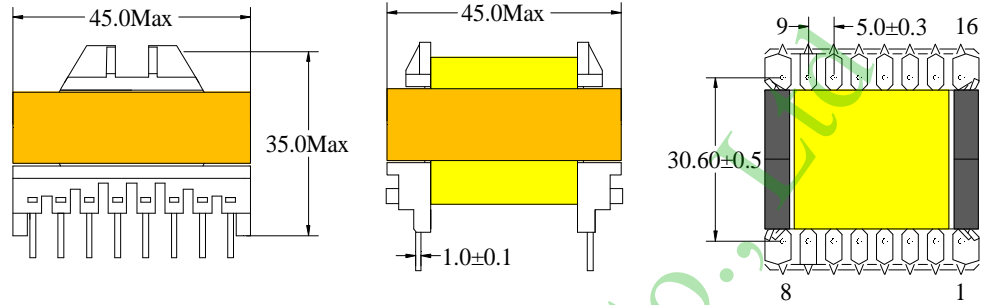


High-frequency transformer

ERL39 Series

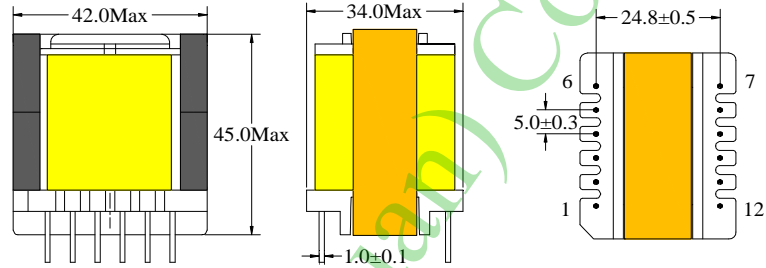
Parameters/Dimensions: ERL39 Type 1

- Information:
 Shape:ERL39
 1 Power:190W
 2 Mounting Orientation: Horizontal
 3 Size: 45(W) * 45 (L) * 35 (H)
 4 Effective Ae (mm2): 125.0



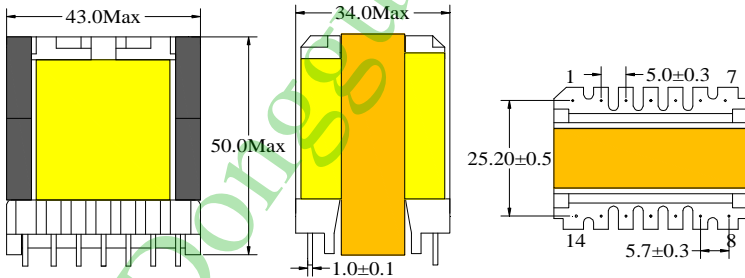
ERL39 Type 2

- Information:
 Shape:ERL39
 1 Power:190W
 2 Mounting Orientation: Vertical
 3 Size: 42 (W) * 34 (L) * 45 (H)
 4 Effective Ae (mm2): 125.0



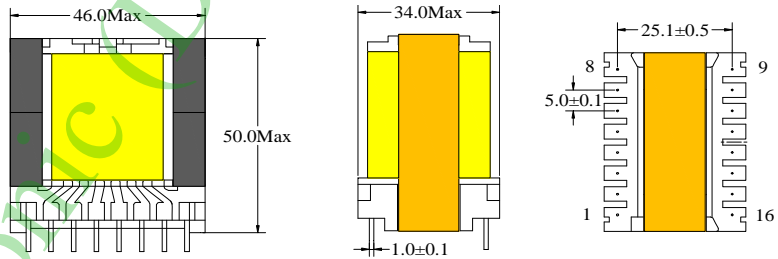
ERL39 Type 3

- Information:
 Shape:ERL39
 1 Power:190W
 2 Mounting Orientation: Vertical
 3 Size: 43 (W) * 34 (L) * 50 (H)
 4 Effective Ae (mm2): 125.0



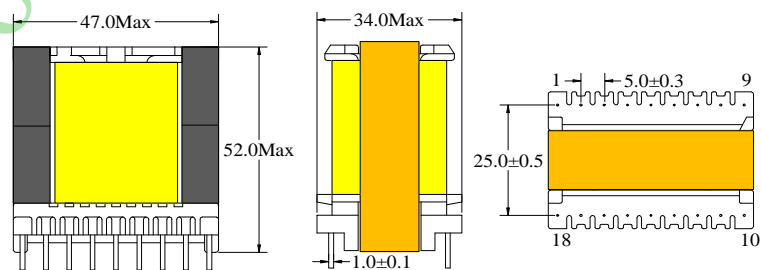
ERL39 Type 4

- Information:
 Shape:ERL39
 1 Power:190W
 2 Mounting Orientation: Vertical
 3 Size: 46 (W) * 34 (L) * 50 (H)
 4 Effective Ae (mm2): 125.0



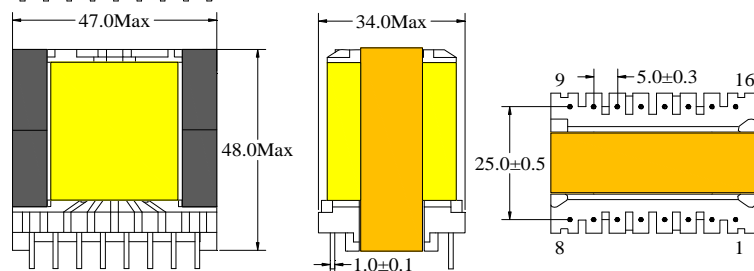
ERL39 Type 5

- Information:
 Shape:ERL39
 1 power:190W
 2 Mounting Orientation: Vertical
 3 Size: 47 (W) * 34 (L) * 52 (H)
 4 Effective Ae (mm2): 125.0



ERL39 Type 6

- Information:
 Shape:ERL39
 1 Power:190W
 2 Mounting Orientation: Vertical
 3 Size: 47 (W) * 34 (L) * 48 (H)
 4 Effective Ae (mm2): 125.0



Note:

Bobbin type listed in the traditional style, transformer design parameters to customer needs or to inject prevail.

ERL series high-frequency transformer features:

Coupled good location, in the column for the round, easy winding and winding area increases, can be designed to power large and small leakage inductance of the transformer.

Uses:

Applied to the LLC resonant inductor, DC-DC converters, switching power supply adapter and other main